

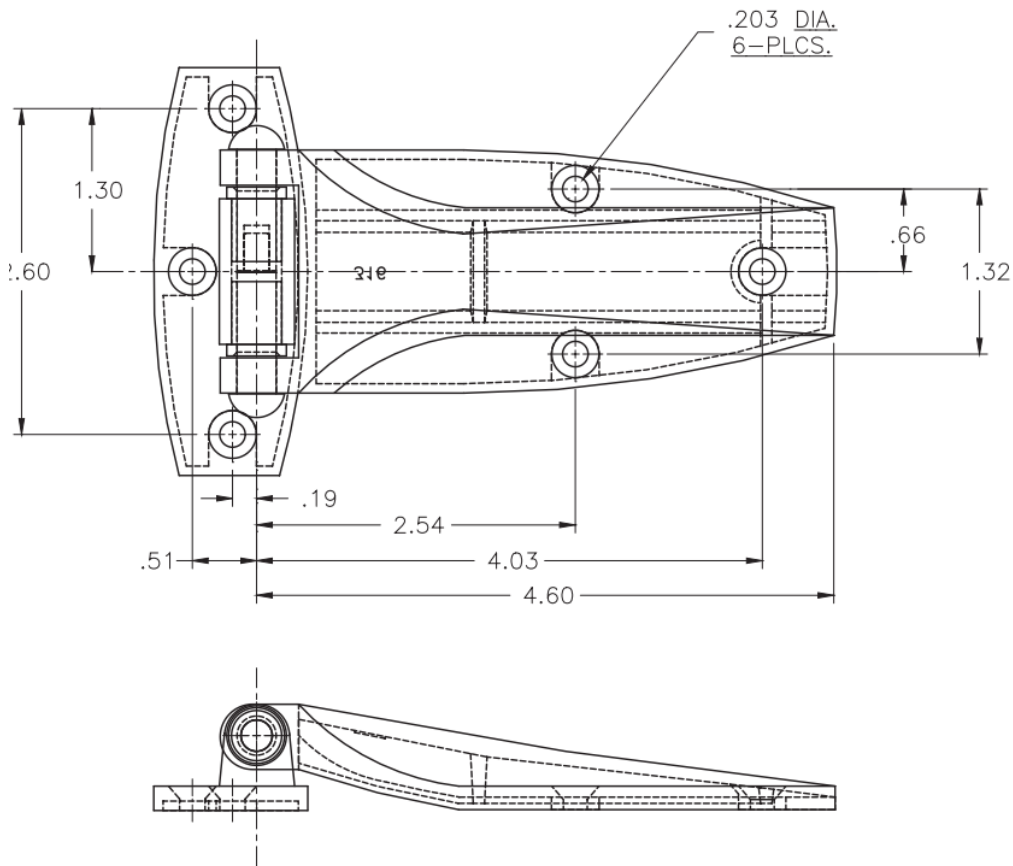
6529 Stainless Steel Raised Profile Hinge

Features

- 5" stainless steel die cast hinge assembly with mounting holes

Material

- Stainless steel die cast



Part No.

6529-SS

Dimensions in inches